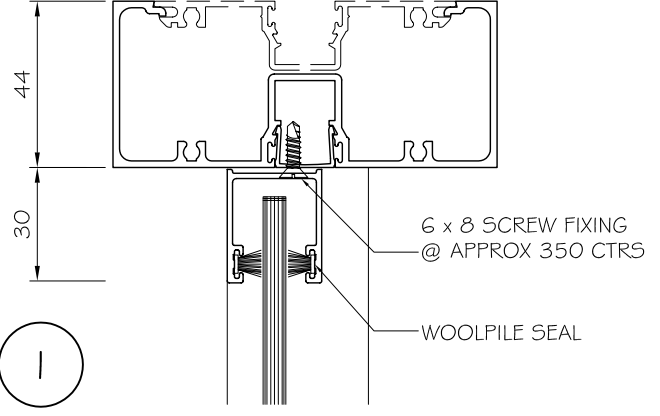
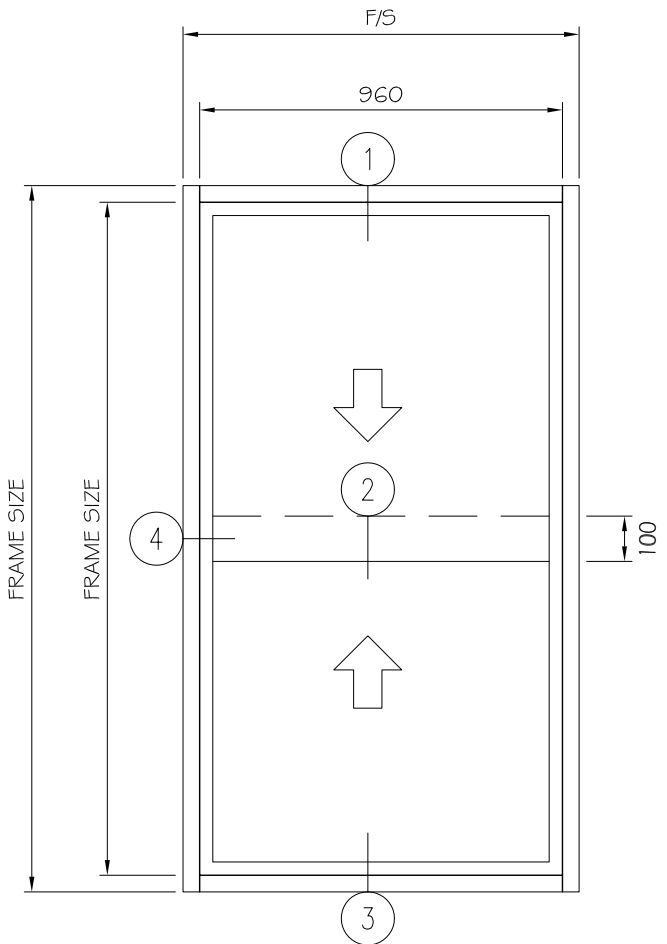


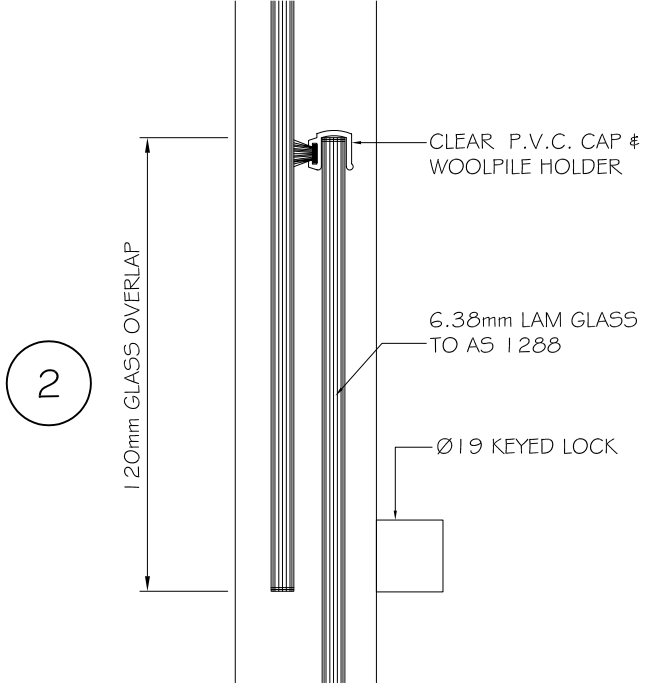
4



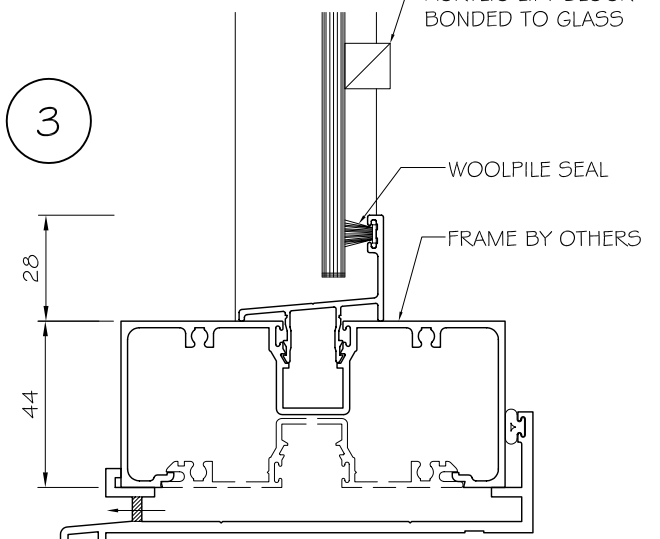
1



ELEVATION SCALE 1:10



2



3

SASHLESS DOUBLE HUNG WINDOW INTO 400 SERIES ALUMINIUM FRAME - HEAD, SILL & JAMB DETAILS

SCALE: 1/2 FULL SIZE	DATE: 03-04	DRAWING NO:
DRAWN BY: PJC	REVISION:	04 / 01



12 STATION ST TEL: (03) 9786 7511
SEAFORD 3198 FAX: (03) 9786 7588
VICTORIA ACN 005 541 784
P.O. BOX 357
E-MAIL: euting@bigpond.net.au

Victorian Sashless Windows

ACN 090 591 192
175 Monbulk-Seville Road, Silvan, 3795
Phone: 9737 9742 Fax: 9737 9929